

Soda 130RS

1:24 scale, fully 3D printed on FDM



More models at:

3drcmodels.com

Screws

- 29x M1.2 x 4mm
- 32x M1.2 x 5mm
- 10x M1 x 4mm



Bearings

- 6x 3x6x2

** If you DONT want to build car as RC, you don't need any bearings*



RC Electronic ** Optional if you want to include RC*



2S ESC

** No fancy ESC required*



3V DC Motor

** Cca 500RPM*



2S Lipo battery

** 7.4V 250mAh is ideal
* Don't forget charger!*



RC Set

** Just basic RC set will do the job*

Thank you!

Thank you for supporting my hobby by buying this model. I had great time designing this kit and I hope you will have same building it and playing with it. Thanks small scale, it's very easy, cheap and quick to print and build.

More models can be found at:

3drcmodels.com

Warning!

Please be careful! Kit contain lots of small parts that can be swallow by infant. Event after build is finished, small parts can be ripped off and can be dangerous. I don't recommend giving this toy to kid younger 3 years.

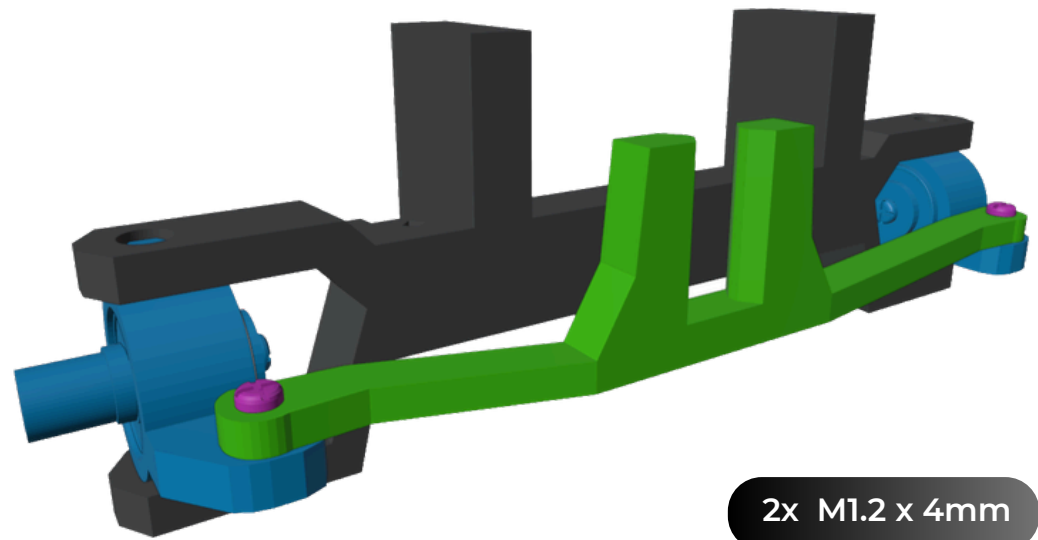
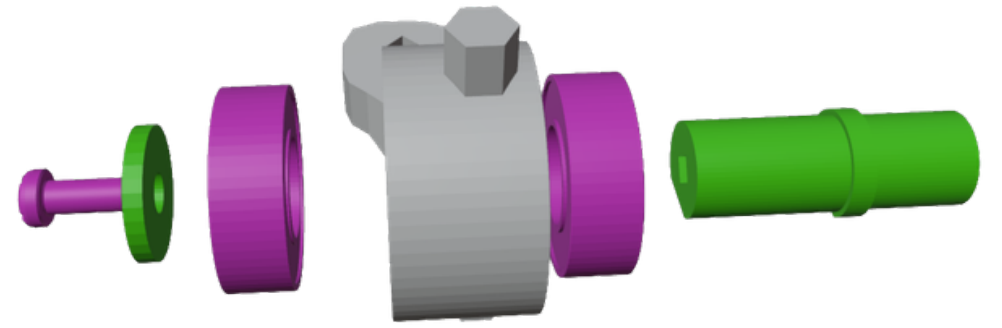
Part #1: Chassis



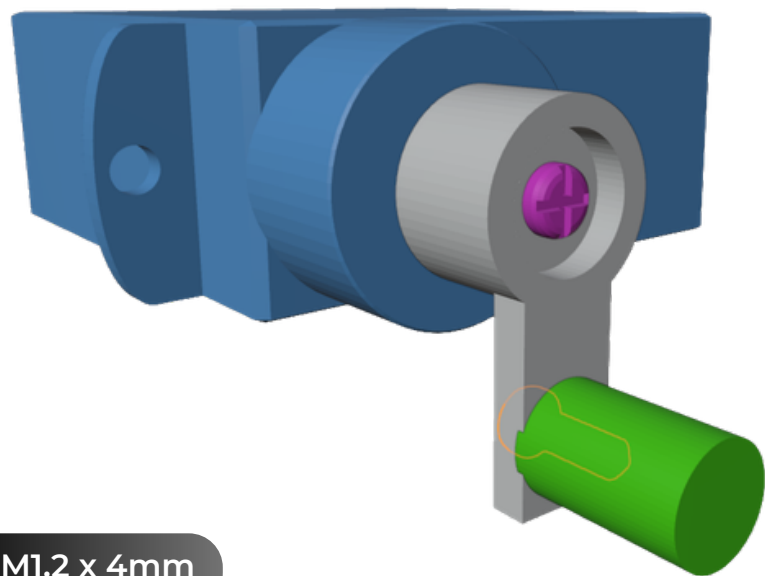
4x 3x6x2mm bearings and shaft has to fit tightly

2x

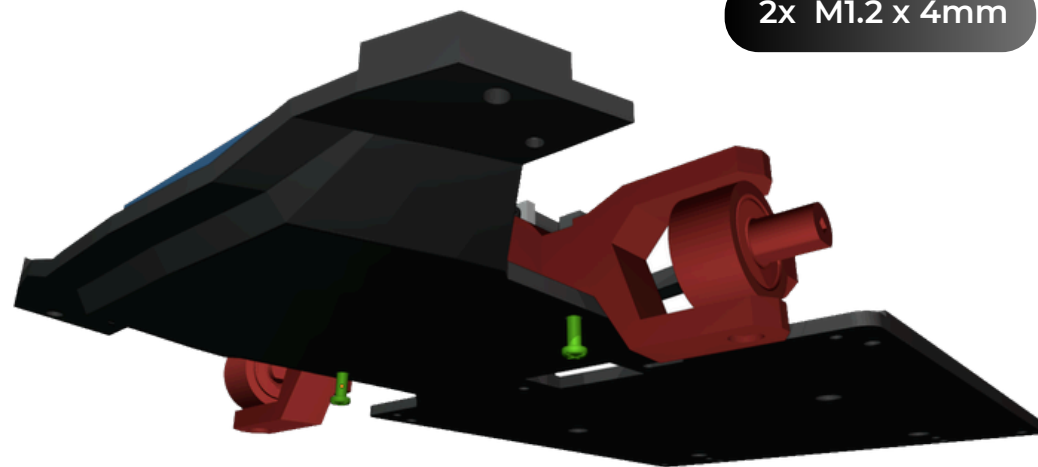
2x M1 x 4mm



2x M1.2 x 4mm

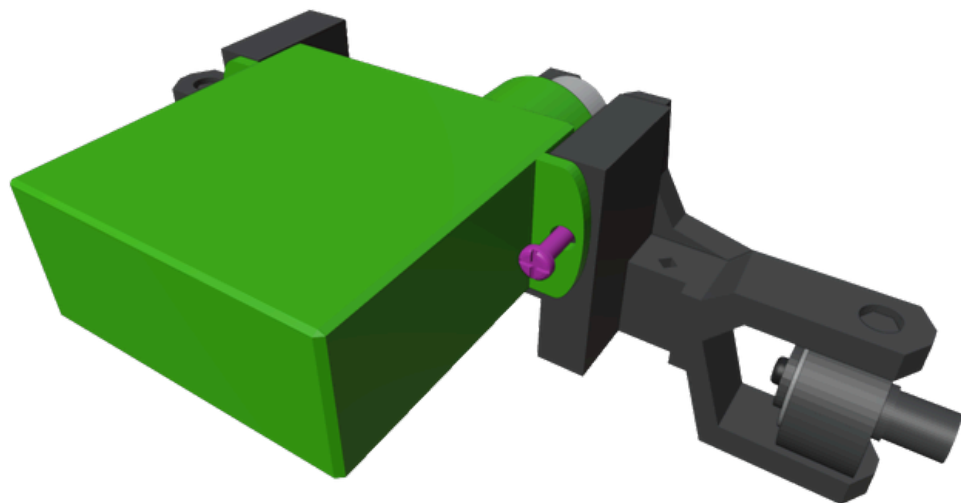


1x M1.2 x 4mm

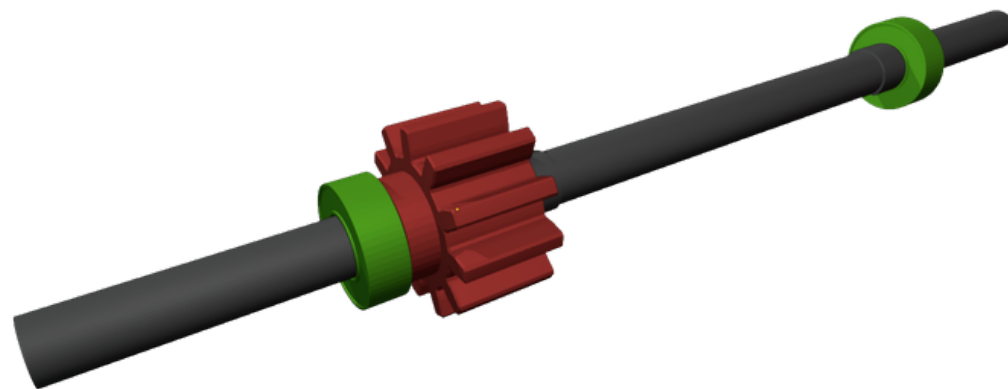


2x M1.2 x 4mm

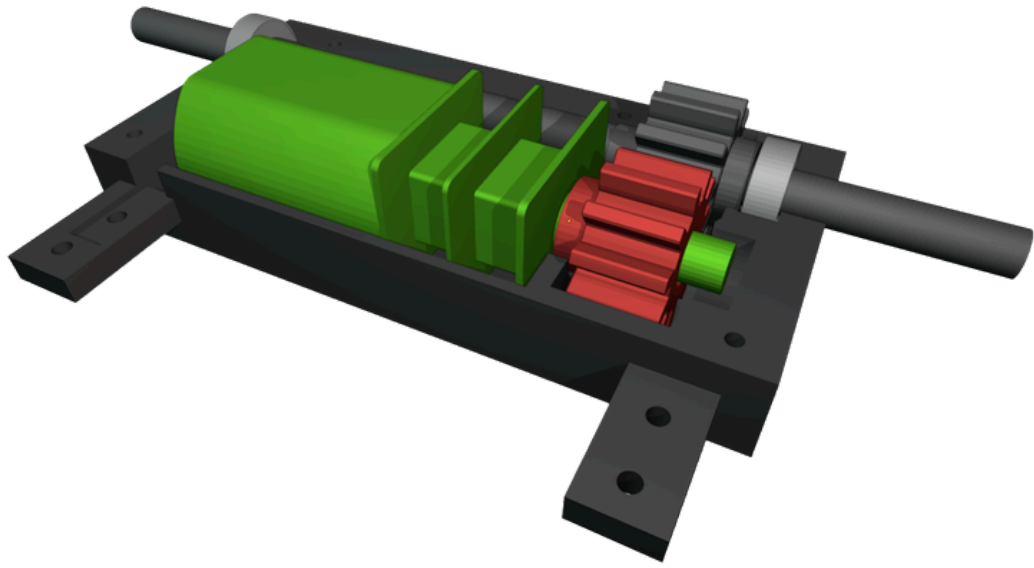
2x M1.2 x 4mm



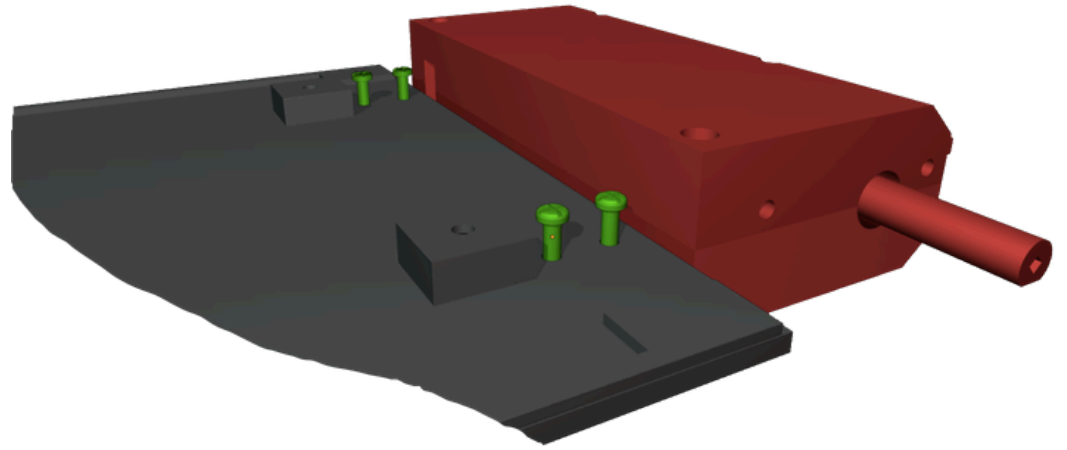
2x M1.2 x 4mm



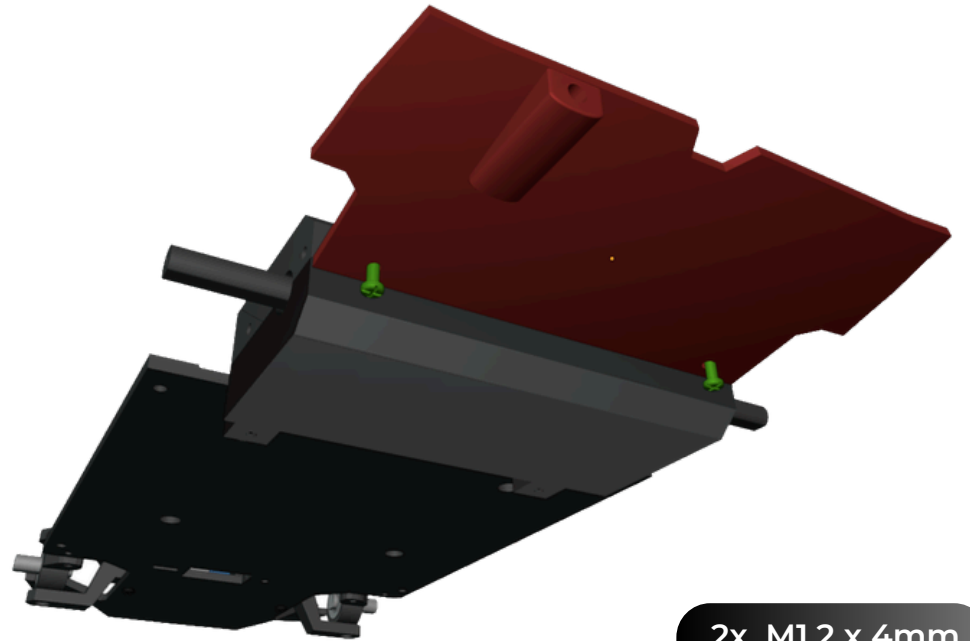
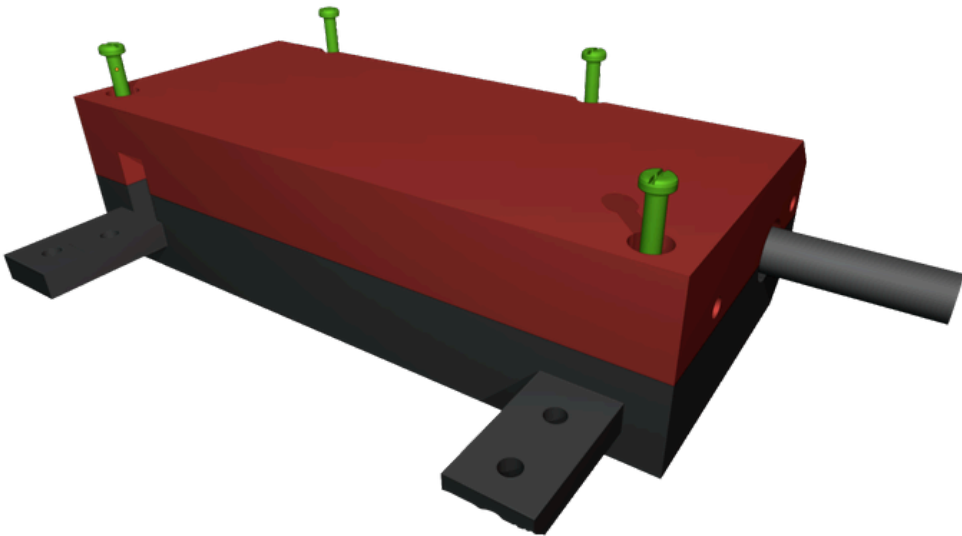
2x 3x6x2mm bearings and shaft has to fit tightly



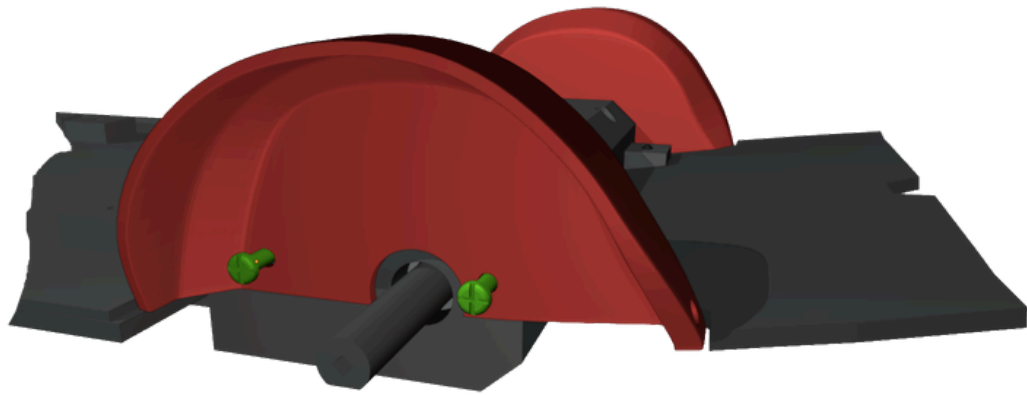
4x M1 x 4mm



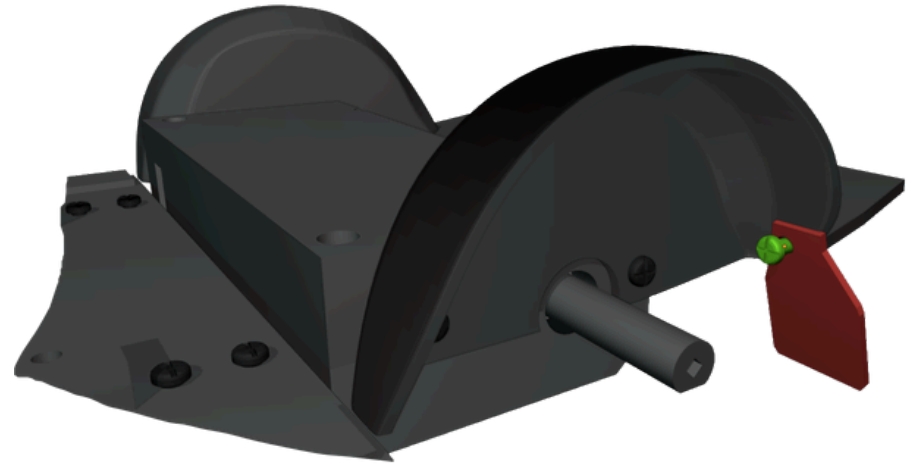
4x M1 x 4mm



2x M1.2 x 4mm

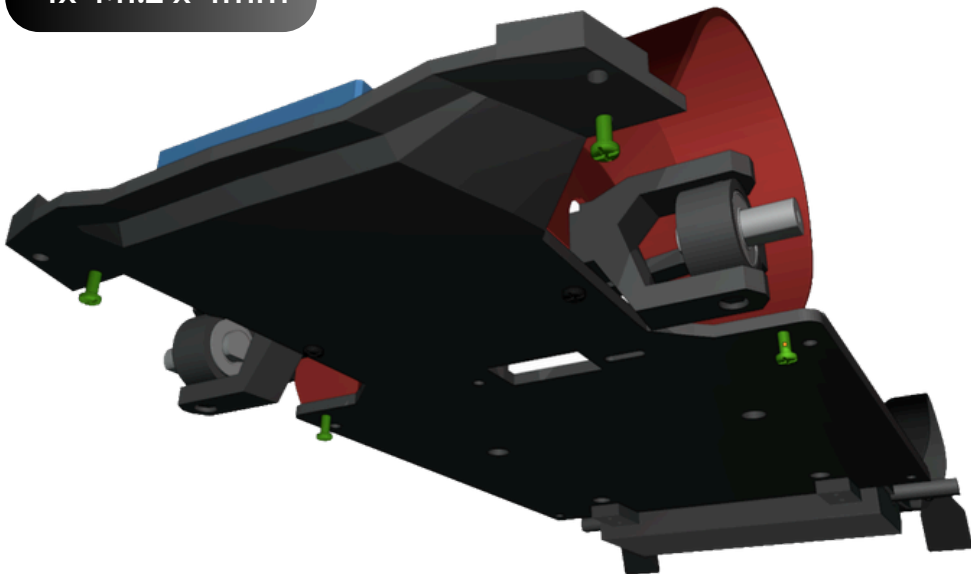


4x M1.2 x 4mm

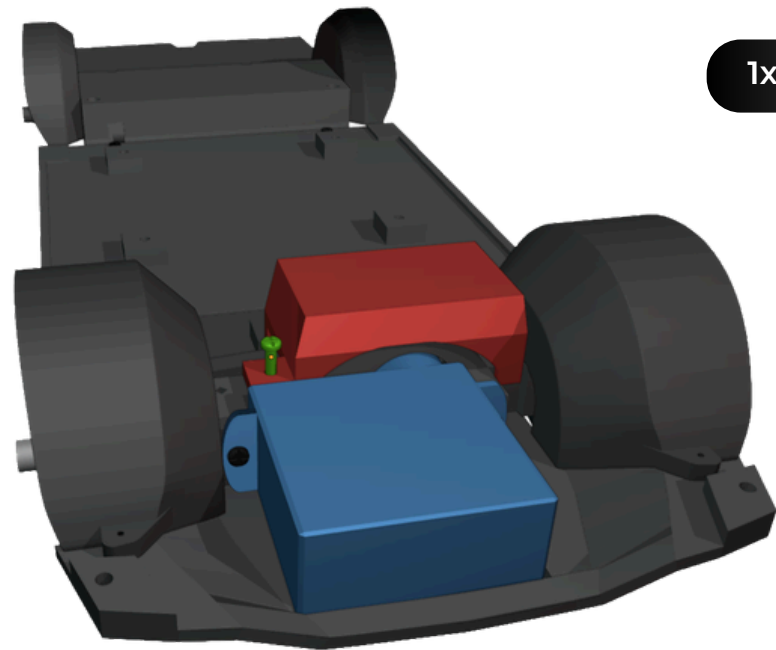


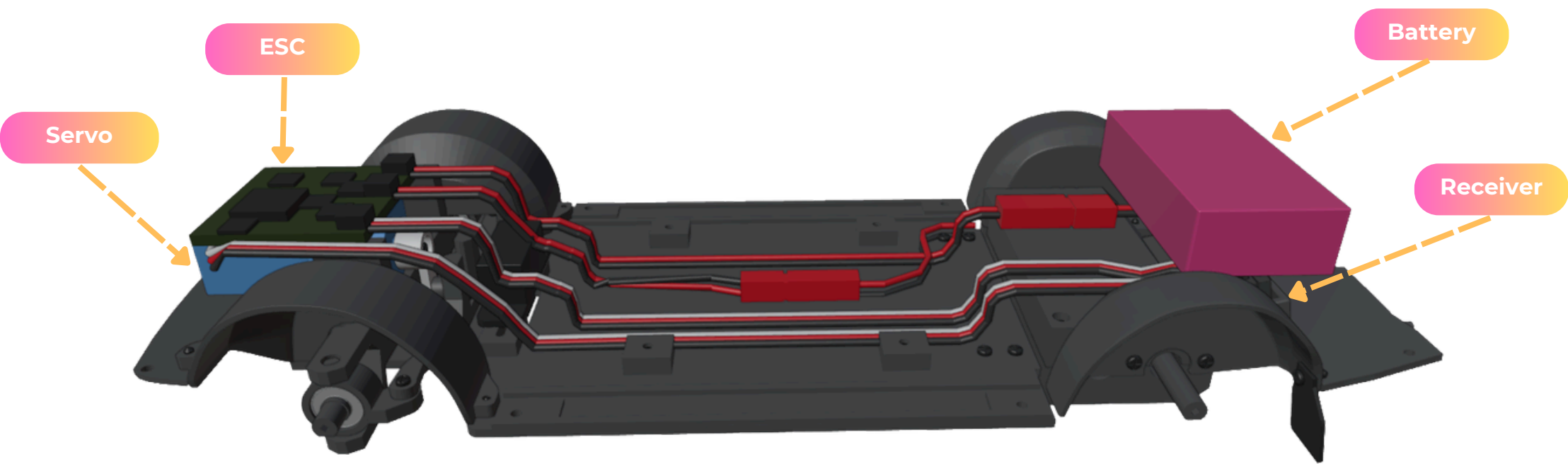
2x M1.2 x 4mm

4x M1.2 x 4mm



1x M1.2 x 4mm

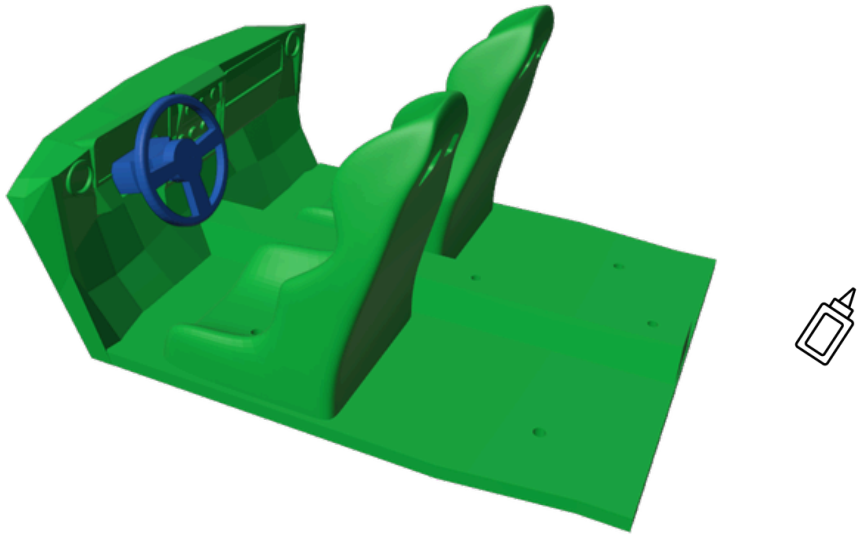




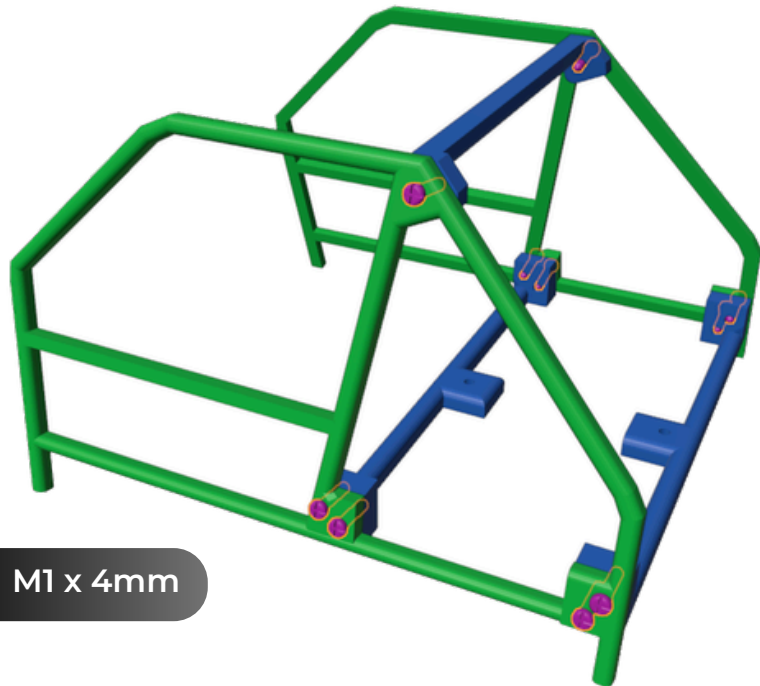
Well done!

Chassis is finished!

Part #2: Interior



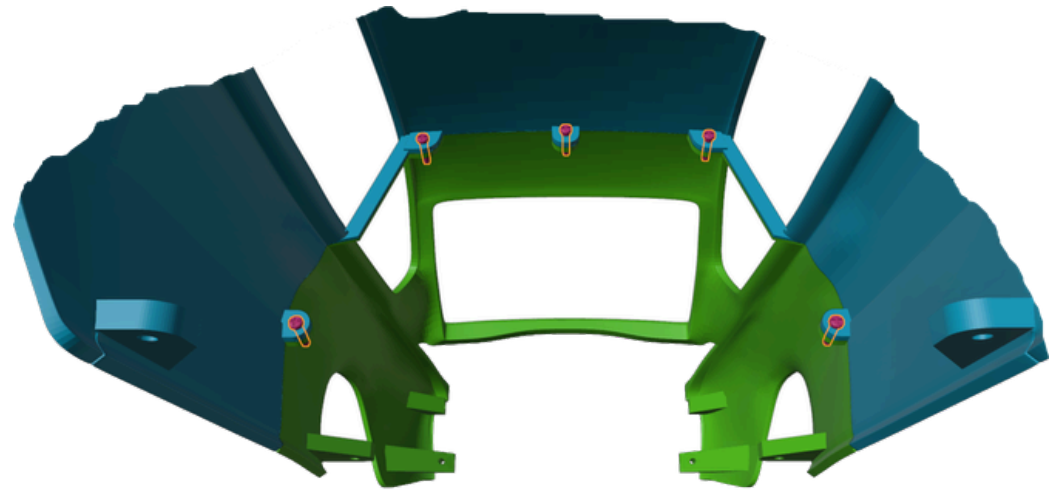
2x M1 x 4mm



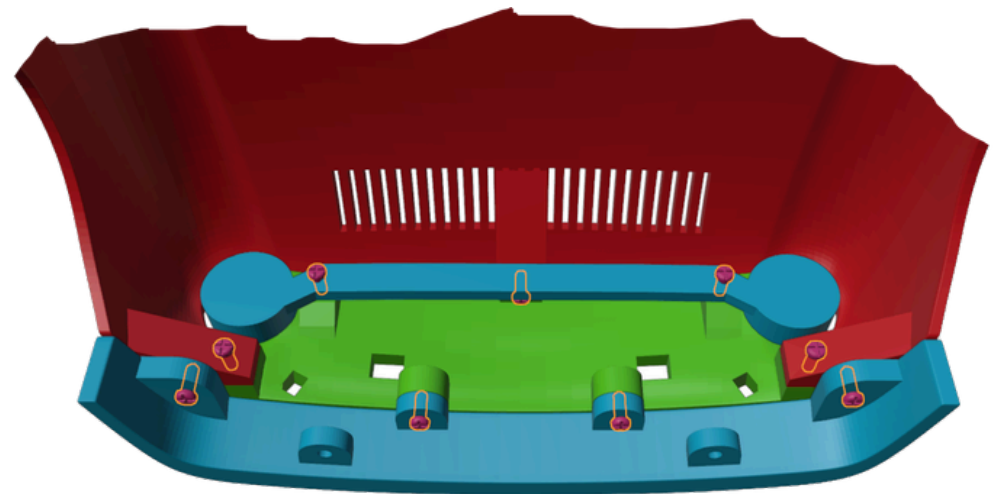
10x M1 x 4mm



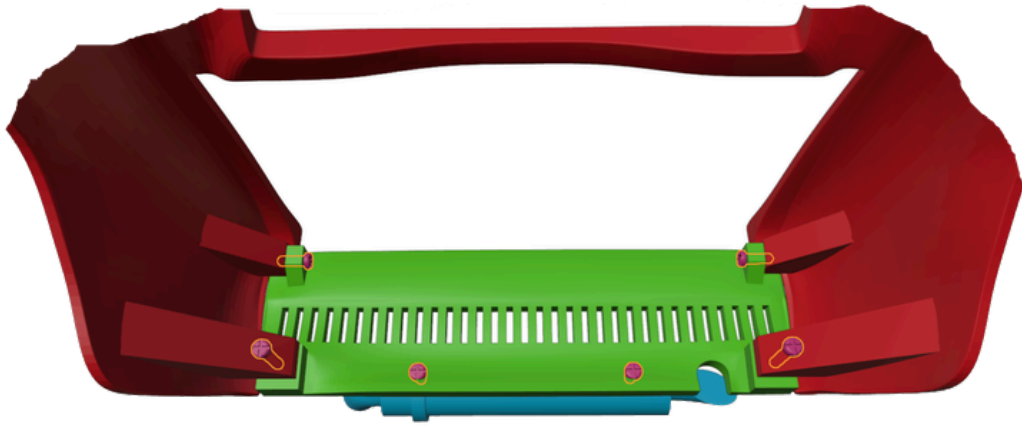
Part #3: Body



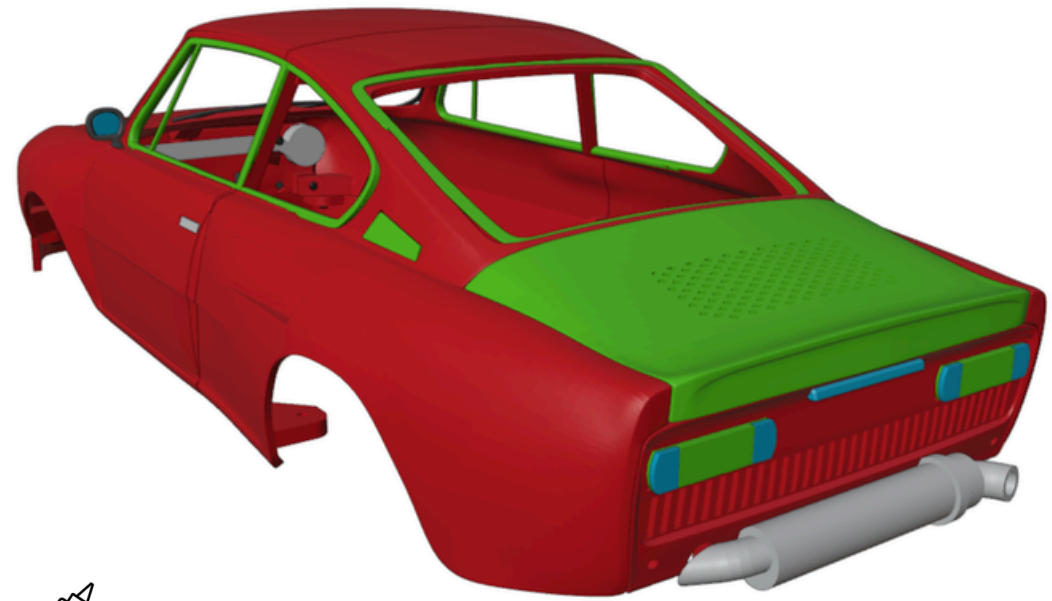
5x M1.2 x 5mm



9x M1.2 x 4mm



6x M1.2 x 4mm



Well done!

We are done....

For more models, visit:

3drcmodels.com